

VIN PRO

WINE COOLER

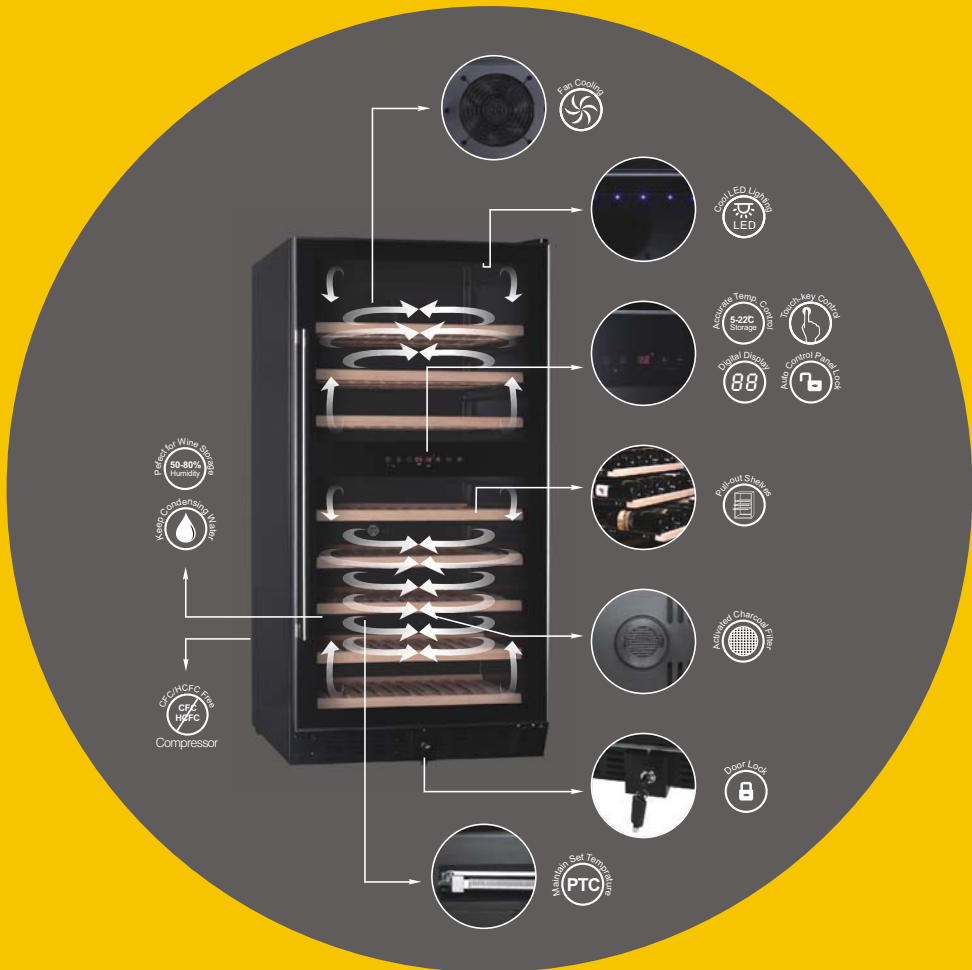
As a professional wine cooler manufacturer, we concentrate on producing high-end compressor wine coolers with circulated fan cooling system, which is the best solution to offer a perfect storage space with balanced and stable temperature and humidity for wines to mature. We, applying ISO 9001:2008 Quality Management System certified by TÜV SÜD, supply full ranges of built-in/built-under and free-standing wine coolers with stylish design and reliable quality.



..... your perfect vino mate

Circulating Fan Cooling Wine Cooler

Features





(Stainless Steel Door Frame)



Control On Door

BI-56 455mm Height
Built-in-column

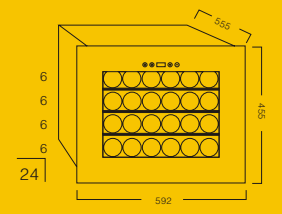
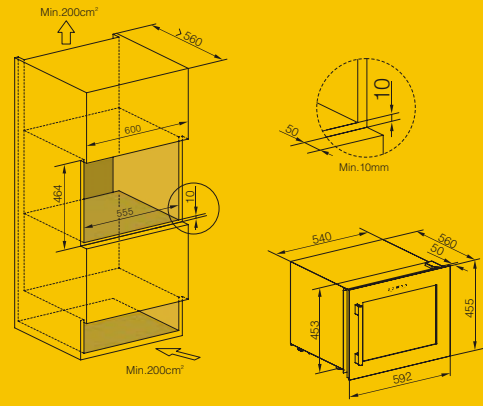
Capacity
Total net 56 litres
Maximum for 24 bottles (750ml Bordeaux bottle)

Design
1 storage zone
Full-piece smoked tempered glass door
Stainless steel handle bar
3 pull-out-with-stopper beech shelves
Digital display

Control
Touch-key control panel on door
Power on/off
Cool LED lighting on/off
Automatic control panel lock
Temperature set 5-22°C (41-72°F)
Fahrenheit & Celsius display Interchange

Feature
Circulated fan cooling for balanced storage temperature
Low vibration design for wines rest in peace
N, SN, & ST climate
CFC & HCFC free
Auto defrosting

Packing & Container-load
Carton WxDxH: 650 x 650 x 515 mm
20/40/40HC : 96/ 216/ 270 pcs



• Installation Drawing •

As a professional wine cooler manufacturer, we concentrates on producing high-end compressor wine coolers with circulated fan cooling system, which is the best solution to offer a perfect storage space with balanced and stable temperature and humidity for wines to mature. We, applying ISO 9001:2008 Quality Management System certified by TÜV SÜD, supply full ranges of built-in/built-under and free-standing wine coolers with stylish design and reliable quality.



(Stainless Steel Door Frame)

As a professional wine cooler manufacturer, we concentrate on producing high-end compressor wine coolers with circulated fan cooling system, which is the best solution to offer a perfect storage space with balanced and stable temperature and humidity for wines to mature. We, applying ISO 9001:2008 Quality Management System certified by TÜV SÜD, supply full ranges of built-in/built-under and free-standing wine coolers with stylish design and reliable quality.

Control On Door

BI-130 885mm Height Built-in-column

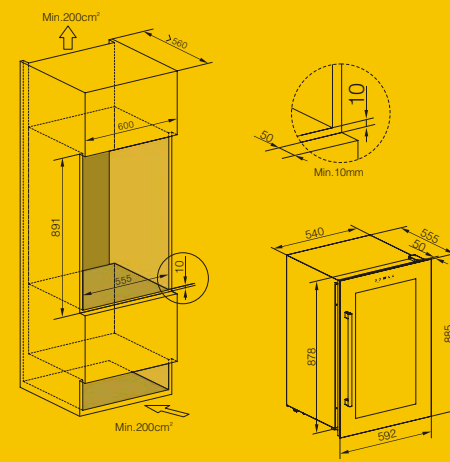
Capacity
Total net 130 litres
Maximum for 47 bottles (750ml Bordeaux bottle)

Design
1 storage zone
Full-piece smoked tempered glass door
Stainless steel handle bar
7 pull-out-with-stopper beech shelves
Digital display

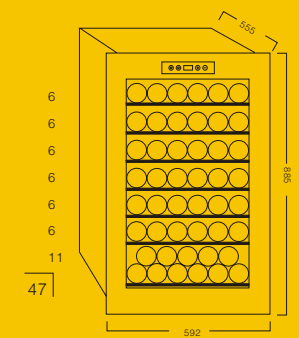
Control
Touch-key control panel on door
Power on/off
Cool LED lighting on/off
Automatic control panel lock
Temperature set 5-22°C (41-72°F)
Fahrenheit & Celsius display interchange

Feature
Circulated fan cooling for balanced storage temperature
PTC heating achieving optimum set temperature
Low vibration design for wines rest in peace
Maintaining 50-80% humidity
N, SN, & ST climate
CFC & HCFC free
Auto defrosting
Active Charcoal Filter (for option)

Packing & Container-load
Carton WxDxH: 650 x 650 x 940 mm
20' 40' 40HC : 48/ 108/ 144 pcs



• Installation Drawing •



Control in Cabinet

BI-130D 885mm Height Built-in-column

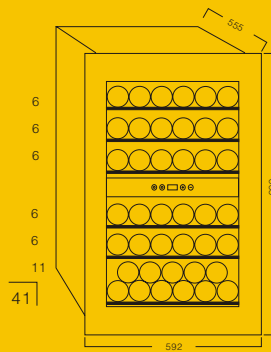
Capacity
Total net 130 litres
Maximum for 41 bottles (750ml Bordeaux bottle)

Design
2 storage zones
Full-piece smoked tempered glass door
Stainless steel handle bar
6 pull-out-with-stopper beech shelves
Digital display
Reversible door swing

Control
Touch-key control panel in cabinet
Power on/off
Cool LED lighting on/off
Automatic control panel lock
Temperature set 5-12°C (41-54°F) for upper zone
Temperature set 12-22°C (54-72°F) for bottom zone
Fahrenheit & Celsius display Interchange

Feature
Circulated fan cooling for balanced storage temperature
PTC heating achieving optimum set temperature
Low vibration design for wines rest in peace
Maintaining 50-80% humidity
N, SN, & ST climate
CFC & HCFC free
Auto defrosting
Active Charcoal Filter (for option)

Packing & Container-load
Carton WxDxH: 650 x 650 x 940 mm
20 / 40 / 40HC : 48 / 108 / 144 pcs



Control On Door

BI-130D 885mm Height Built-in-column

Capacity
Total net 130 litres
Maximum for 41 bottles (750ml Bordeaux bottle)

Design
2 storage zones
Full-piece smoked tempered glass door
Stainless steel handle bar
6 pull-out-with-stopper beech shelves
Digital display

Control
Touch-key control panel on door
Power on/off
Cool LED lighting on/off
Automatic control panel lock
Temperature set 5-12°C (41-54°F) for upper zone
Temperature set 12-22°C (54-72°F) for bottom zone
Fahrenheit & Celsius display interchange

Feature
Circulated fan cooling for balanced storage temperature
PTC heating achieving optimum set temperature
Low vibration design for wines rest in peace
Maintaining 50-80% humidity
N, SN, & ST climate
CFC & HCFC free
Auto defrosting
Active Charcoal Filter (for option)

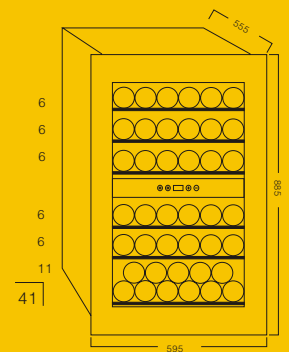
Packing & Container-load
Carton WxDxH: 650 x 650 x 940 mm
20 / 40 / 40HC : 48 / 108 / 144 pcs



(Stainless Steel Door Frame)



(Stainless Steel Door Frame)





Control in Cabinet

BU-22 150mm Width Built-under

Capacity

Total net 22 litres
Maximum for 7 bottles (750ml Bordeaux bottle)

Design

1 storage zone
Front lower design for built-under installation
Smoked tempered glass door
Stainless steel handle bar
6 pull-out chrome shelves
Digital display
Reversible door swing

Control

Touch-key control panel in cabinet
Power on/off
Cool LED lighting on/off
Automatic control panel lock
Temperature set 5-22°C (41-72°F)
Fahrenheit & Celsius display Interchange

Feature

Circulated fan cooling for balanced storage temperature
Low vibration design for wines rest in peace
Maintaining 50-80% humidity
N, SN, & ST climate
CFC & HCFC free
Auto defrosting

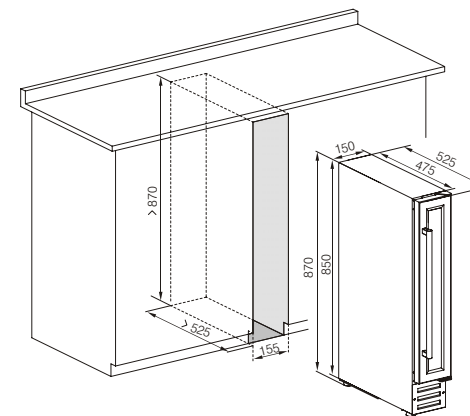
Packing & Container-load

Carton WxDxH: 190 x 570 x 890 mm
20' 40' 40HC : 268/ 544/ 648 pcs



(Slim SST Door Frame)

(Rimless Door Frame)



(Wide SST Door Frame)

• Installation Drawing •

As a professional wine cooler manufacturer, we concentrate on producing high-end compressor wine coolers with circulated fan cooling system, which is the best solution to offer a perfect storage space with balanced and stable temperature and humidity for wines to mature. We, applying ISO 9001:2008 Quality Management System certified by TÜV SÜD, supply full ranges of built-in/built-under and free-standing wine coolers with stylish design and reliable quality.

Control in Cabinet

BU-58 295mm Width Built-under

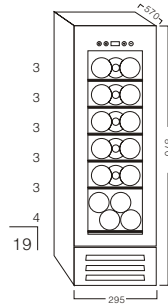
Capacity
Total net 58 litres
Maximum for 19 bottles (750ml Bordeaux bottle)

Design
1 storage zone
Front louver design for built-under installation
Smoked tempered glass door
Stainless steel handle bar
6 pull-out-with-stopper beech shelves
Digital display
Reversible door swing

Control
Touch-key control panel in cabinet
Power on/off
Cool LED lighting on/off
Automatic control panel lock
Temperature set 5-22°C (41-72°F)
Fahrenheit & Celsius display Interchange

Feature
Circulated fan cooling for balanced storage temperature
Low vibration design for wines rest in peace
Maintaining 50-80% humidity
N, SN, & ST climate
CFC & HCFC free
Auto defrosting
Active Charcoal Filter (for option)

Packing & Container-load
Carton WxDxH: 325 x 625 x 910 mm
20/ 40/ 40HC : 144/ 305/ 344 pcs



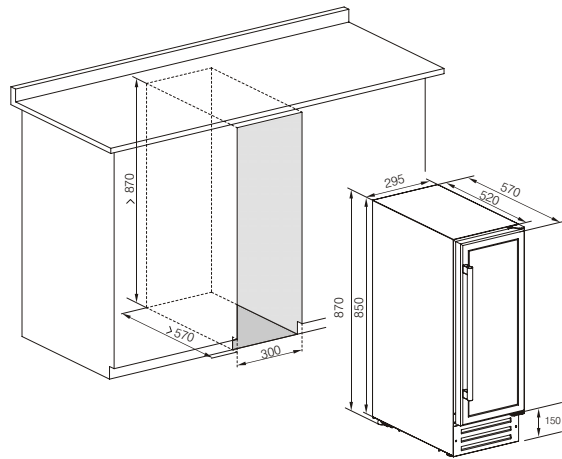
(Slim SST Door Frame)



(Wide SST Door Frame)



(Rimless Door Frame)



• **Installation Drawing** •

Control on Door

BU-58 395mm Width Built-under

Capacity
Total net 58 litres
Maximum for 20 bottles (750ml Bordeaux bottle)

Design
1 storage zone
Front louver design for built-under installation
Smoked tempered glass door
Stainless steel handle bar
6 pull-out-with-stopper beech shelves
Digital display

Control
Touch-key control panel on door
Power on/off
Cool LED lighting on/off
Automatic control panel lock
Temperature set 5-22°C (41-72°F)
Fahrenheit & Celsius display Interchange

Feature
Circulated fan cooling for balanced storage temperature
Low vibration design for wines rest in peace
Maintaining 50-80% humidity
N, SN, & ST climate
CFC & HCFC free
Auto defrosting
Active Charcoal Filter (for option)

Packing & Container-load
Carton WxDxH: 325 x 625 x 910 mm
20/ 40/ 40HC : 144/ 305/ 344 pcs



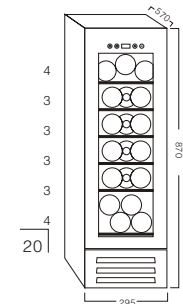
(Slim SST Door Frame)



(Wide SST Door Frame)



(Rimless Door Frame / Mirror Glass)



Control in Cabinet

BU-145 595mm Width / 870-890mm Built-under / Height

Capacity

Total net 145 litres
Maximum for 46 bottles (750ml Bordeaux bottle)

Design

1 storage zone
Front louver design for built-under installation
Tempered glass door with stainless steel frame
Smoked tempered glass door
Stainless steel handle bar
6 pull-out-with-stopper beech shelves
Digital display
Reversible door swing

Control

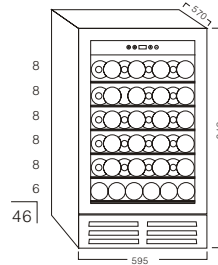
Touch-key control panel in cabinet
Power on/off
Cool LED lighting on/off
Automatic control panel lock
Temperature set 5-22°C (41-72°F)
Fahrenheit & Celsius display Interchange

Feature

Circulated fan cooling for balanced storage temperature
PTC heating achieving optimum set temperature
Low vibration design for wines rest in peace
Maintaining 50-80% humidity
N, SN, & ST climate
CFC & HCFC free
Auto defrosting
Active Charcoal Filter (for option)

Packing & Container-load

Carton WxDxH: 660 x 625 x 930 mm
20/ 40/ 40HC : 54/ 114/ 150 pcs



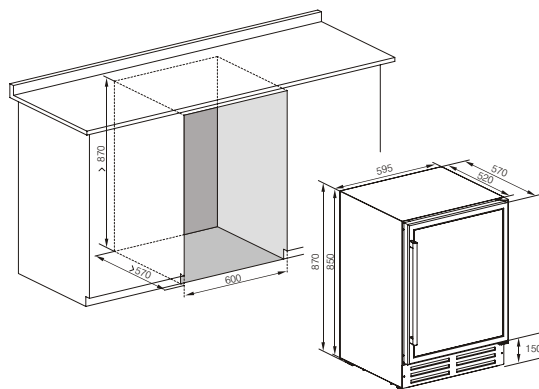
(Slim SST Door Frame)



(Wide SST Door Frame)



(Rimless Door Frame)



• **Installation Drawing** •

Control on Door

BU-145 595mm Width / 870-890mm Built-under / Height

Capacity

Total net 145 litres
Maximum for 54 bottles (750ml Bordeaux bottle)

Design

1 storage zone
Front louver design for built-under installation
Smoked tempered glass door
Stainless steel handle bar
7 pull-out-with-stopper beech shelves
Digital display

Control

Touch-key control panel on door
Power on/off
Cool LED lighting on/off
Automatic control panel lock
Temperature set 5-22°C (41-72°F)
Fahrenheit & Celsius display Interchange

Feature

Circulated fan cooling for balanced storage temperature
PTC heating achieving optimum set temperature
Low vibration design for wines rest in peace
Maintaining 50-80% humidity
N, SN, & ST climate
CFC & HCFC free
Auto defrosting
Active Charcoal Filter (for option)

Packing & Container-load

Carton WxDxH: 660 x 625 x 930 mm
20/ 40/ 40HC : 54/ 114/ 150 pcs



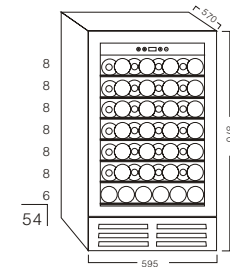
(Slim SST Door Frame)



(Wide SST Door Frame)



(Rimless Door Frame / Mirror Glass)



Control in Cabinet

BU-145 595mm Width / 820-850mm Built-under / Height

Capacity

Total net 145 litres
Maximum for 46 bottles (750ml Bordeaux bottle)

Design

1 storage zone
Front louver design for built-under installation
Tempered glass door with stainless steel frame
Smoked tempered glass door
Stainless steel handle bar
6 pull-out-with-stopper beech shelves
Digital display
Reversible door swing

Control

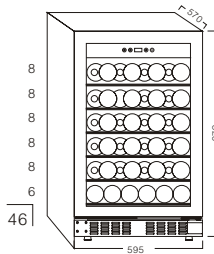
Touch-key control panel in cabinet
Power on/off
Cool LED lighting on/off
Automatic control panel lock
Temperature set 5-22°C (41-72°F)
Fahrenheit & Celsius display Interchange

Feature

Circulated fan cooling for balanced storage temperature
PTC heating achieving optimum set temperature
Low vibration design for wines rest in peace
Maintaining 50-80% humidity
N, SN, & ST climate
CFC & HCFC free
Auto defrosting
Active Charcoal Filter (for option)

Packing & Container-load

Carton WxDxH: 660 x 625 x 880mm
20/40/40HC : 54/ 114/ 171 pcs



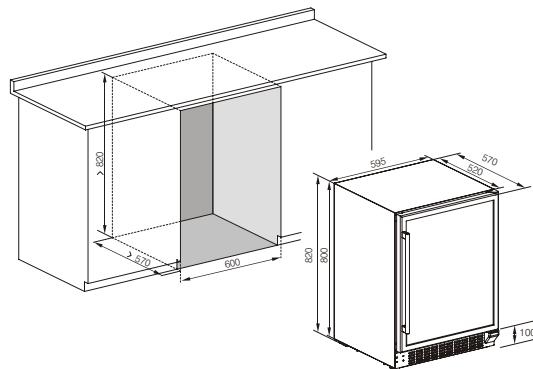
(Slim SST Door Frame)



(Wide SST Door Frame)



(Rimless Door Frame)



• **Installation Drawing** •

Control on Door

BU-145 595mm Width / 820-850mm Built-under / Height

Capacity

Total net 145 litres
Maximum for 54 bottles (750ml Bordeaux bottle)

Design

1 storage zone
Front louver design for built-under installation
Smoked tempered glass door
Stainless steel handle bar
7 pull-out-with-stopper beech shelves
Digital display

Control

Touch-key control panel on door
Power on/off
Cool LED lighting on/off
Automatic control panel lock
Temperature set 5-22°C (41-72°F)
Fahrenheit & Celsius display Interchange

Feature

Circulated fan cooling for balanced storage temperature
PTC heating achieving optimum set temperature
Low vibration design for wines rest in peace
Maintaining 50-80% humidity
N, SN, & ST climate
CFC & HCFC free
Auto defrosting
Active Charcoal Filter (for option)

Packing & Container-load

Carton WxDxH: 660 x 625 x 930 mm
20/40/40HC : 54/ 114/ 171 pcs



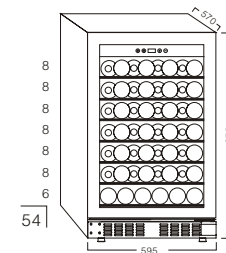
(Slim SST Door Frame)



(Wide SST Door Frame)



(Rimless Door Frame / Mirror Glass)



Control in Cabinet

BU-145D 600mm Width / 870-890mm Built-under / Height

Capacity

Total net 145 litres
Maximum for 46 bottles (750ml Bordeaux bottle)

Design

2 storage zone
Front louver design for built-under installation
Tempered glass door with stainless steel frame
Smoked tempered glass door
Stainless steel handle bar
6 pull-out-with-stopper beech shelves
Digital display
Reversible door swing

Control

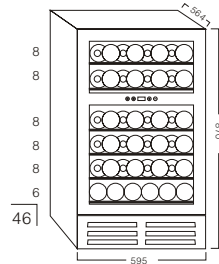
Touch-key control panel in cabinet
Power on/off
Cool LED lighting on/off
Automatic control panel lock
Temperature set 5-12°C (41-54°F) for upper zone
Temperature set 12-22°C (54-72°F) for bottom zone
Fahrenheit & Celsius display Interchange

Feature

Circulated fan cooling for balanced storage temperature
PTC heating achieving optimum set temperature
Low vibration design for wines rest in peace
Maintaining 50-80% humidity
N, SN, & ST climate
CFC & HCFC free
Auto defrosting
Active Charcoal Filter (for option)

Packing & Container-load

Carton WxDxH: 660 x 625 x 930 mm
20/ 40/ 40HC : 54/ 114/ 150 pcs



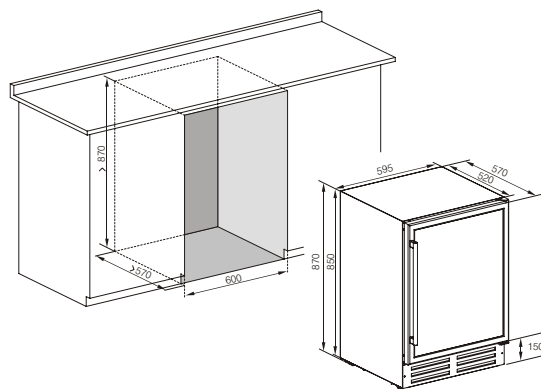
(Slim SST Door Frame)



(Wide SST Door Frame)



(Rimless Door Frame)



• **Installation Drawing** •

Control on Door

BU-145D 600mm Width / 870-890mm Built-under / Height

Capacity

Total net 145 litres
Maximum for 46 bottles (750ml Bordeaux bottle)

Design

2 storage zone
Front louver design for built-under installation
Smoked tempered glass door
Stainless steel handle bar
6 pull-out-with-stopper beech shelves
Digital display

Control

Touch-key control panel on door
Power on/off
Cool LED lighting on/off
Automatic control panel lock
Temperature set 5-12°C (41-54°F) for upper zone
Temperature set 12-22°C (54-72°F) for bottom zone
Fahrenheit & Celsius display Interchange

Feature

Circulated fan cooling for balanced storage temperature
PTC heating achieving optimum set temperature
Low vibration design for wines rest in peace
Maintaining 50-80% humidity
N, SN, & ST climate
CFC & HCFC free
Auto defrosting
Active Charcoal Filter (for option)

Packing & Container-load

Carton WxDxH: 660 x 625 x 930 mm
20/ 40/ 40HC : 54/ 114/ 150 pcs



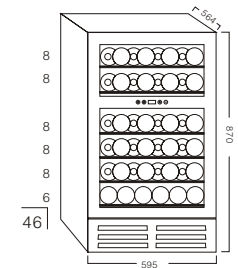
(Slim SST Door Frame)



(Wide SST Door Frame)



(Rimless Door Frame)



Control in Cabinet

BU-145D 600mm Width / 820-850mm Built-under / Height

Capacity

Total net 145 litres
Maximum for 46 bottles (750ml Bordeaux bottle)

Design

2 storage zone
Front louver design for built-under installation
Tempered glass door with stainless steel frame
Smoked tempered glass door
Stainless steel handle bar
6 pull-out-with-stopper beech shelves
Digital display
Reversible door swing

Control

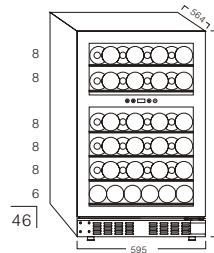
Touch-key control panel in cabinet
Power on/off
Cool LED lighting on/off
Automatic control panel lock
Temperature set 5-12°C (41-54°F) for upper zone
Temperature set 12-22°C (54-72°F) for bottom zone
Fahrenheit & Celsius display Interchange

Feature

Circulated fan cooling for balanced storage temperature
PTC heating achieving optimum set temperature
Low vibration design for wines rest in peace
Maintaining 50-80% humidity
N, SN, & ST climate
CFC & HCFC free
Auto defrosting
Active Charcoal Filter (for option)

Packing & Container-load

Carton WxDxH: 660 x 625 x 930 mm
20/ 40/ 40HC: 54/ 114/ 171 pcs



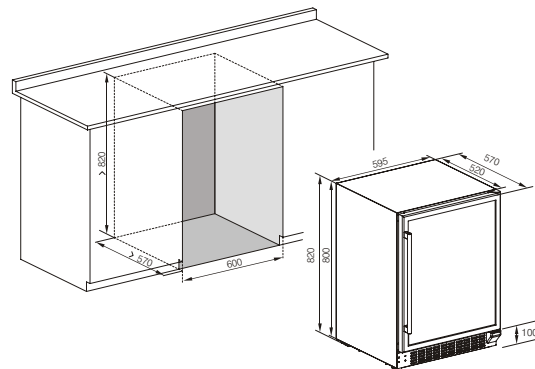
(Slim SST Door Frame)



(Wide SST Door Frame)



(Rimless Door Frame)



• **Installation Drawing** •

Control on Door

BU-145D 600mm Width / 820-850mm Built-under / Height

Capacity

Total net 145 litres
Maximum for 46 bottles (750ml Bordeaux bottle)

Design

2 storage zone
Front louver design for built-under installation
Smoked tempered glass door
Stainless steel handle bar
6 pull-out-with-stopper beech shelves
Digital display

Control

Touch-key control panel on door
Power on/off
Cool LED lighting on/off
Automatic control panel lock
Temperature set 5-12°C (41-54°F) for upper zone
Temperature set 12-22°C (54-72°F) for bottom zone
Fahrenheit & Celsius display Interchange

Feature

Circulated fan cooling for balanced storage temperature
PTC heating achieving optimum set temperature
Low vibration design for wines rest in peace
Maintaining 50-80% humidity
N, SN, & ST climate
CFC & HCFC free
Auto defrosting
Active Charcoal Filter (for option)

Packing & Container-load

Carton WxDxH: 660 x 625 x 930 mm
20/ 40/ 40HC: 54/ 114/ 171 pcs



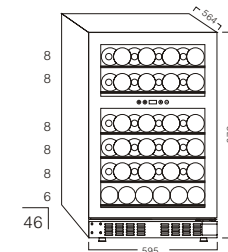
(Slim SST Door Frame)



(Wide SST Door Frame)



(Rimless Door Frame)





WINE COOLER

As a professional wine cooler manufacturer, we concentrate on producing high-end compressor wine coolers with circulated fan cooling system, which is the best solution to offer a perfect storage space with balanced and stable temperature and humidity for wines to mature. We, applying ISO 9001:2008 Quality Management System certified by TÜV SÜD, supply full ranges of built-in/built-under and free-standing wine coolers with stylish design and reliable quality.



Control in Cabinet

BU-270 595mm Width
Free-standing

Capacity

Total net 270 litres
Maximum for 96 bottles (750ml Bordeaux bottle)
*suitable for 750ml Burgundy bottle (around 80 bottles)

Design

1 storage zone
Front lower design suitable for built-in installation
Smoked tempered glass door
Stainless steel handle bar
9 beech shelves (7 telescopic)
Digital display
Reversible door swing

Control

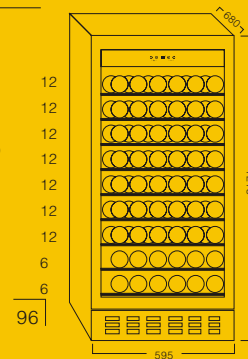
Touch-key control panel in cabinet
Power on/off
Cool LED lighting on/off
Automatic control panel lock
Temperature set 5-22°C (41-72°F)
Fahrenheit & Celsius display Interchange

Feature

Circulated fan cooling for balanced storage temperature
PTC heating achieving optimum set temperature
Low vibration design for wines rest in peace
Maintaining 50-80% humidity
N, SN climate
CFC & HCFC free
Auto defrosting
Active Charcoal Filter (for option)

Packing & Container-load

Carton WxDxH: 660 x 745 x 1260mm
20/40/40HC : 36/81/108 pcs



(Slim SST Door Frame)

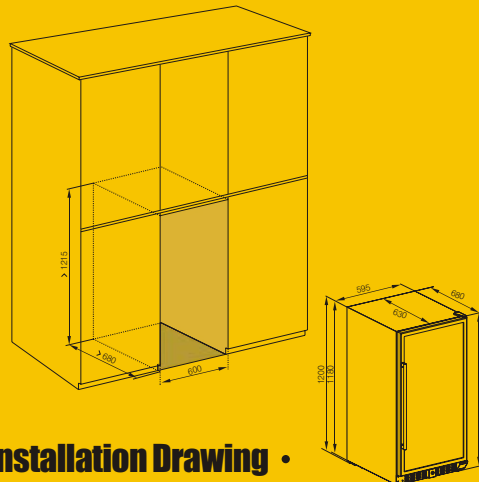


(Wide SST Door Frame)



(Rimless Door Frame)

• **Installation Drawing** •



Control on Door

BU-270 595mm Width
Free-standing

Capacity

Total net 270 litres
Maximum for 106 bottles (750ml Bordeaux bottle)
*suitable for 750ml Burgundy bottle (around 80 bottles)

Design

1 storage zone
Front lower design suitable for built-in installation
Smoked tempered glass door
Stainless steel handle bar
9 beech shelves (7 telescopic)
Digital display

Control

Touch-key control panel on door
Power on/off
Cool LED lighting on/off
Automatic control panel lock
Temperature set 5-22°C (41-72°F)
Fahrenheit & Celsius display Interchange

Feature

Circulated fan cooling for balanced storage temperature
PTC heating achieving optimum set temperature
Low vibration design for wines rest in peace
Maintaining 50-80% humidity
N, SN climate
CFC & HCFC free
Auto defrosting
Active Charcoal Filter (for option)

Packing & Container-load

Carton WxDxH: 660 x 745 x 1260mm
20/40/40HC : 36/81/108 pcs



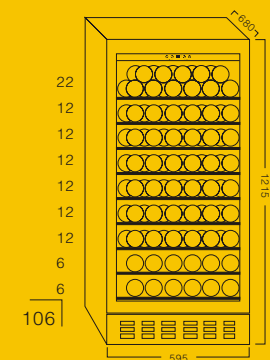
(Slim SST Door Frame)



(Wide SST Door Frame)



(Rimless Door Frame / Mirror Glass)



Control in Cabinet

BU-270D 595mm Width Free-standing

Capacity

Total net 270 litres
Maximum for 94 bottles (750ml Bordeaux bottle)
*suitable for 750ml Burgundy bottle (around 70 bottles)

Design

2 storage zone
Front lower design suitable for built-in installation
Smoked tempered glass door
Stainless steel handle bar
8 beech shelves (6 telescopic)
Digital display
Reversible door swing

Control

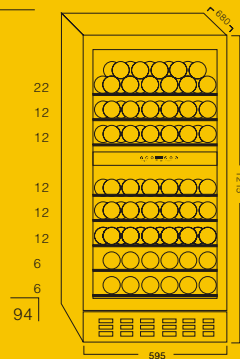
Touch-key control panel in cabinet
Power on/off
Cool LED lighting on/off
Automatic control panel lock
Temperature set 5-12°C (41-54°F) for upper zone
Temperature set 12-22°C (54-72°F) for bottom zone
Fahrenheit & Celsius display Interchange

Feature

Circulated fan cooling for balanced storage temperature
PTC heating achieving optimum set temperature
Low vibration design for wines rest in peace
Maintaining 50-80% humidity
N, SN climate
CFC & HCFC free
Auto defrosting
Active Charcoal Filter (for option)

Packing & Container-load

Carton WxDxH: 660 x 745 x 1260mm
20/40/40HC : 36/81/108 pcs



(Slim SST Door Frame)

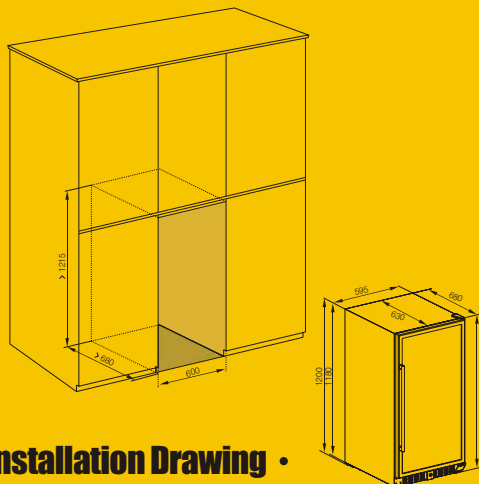


(Wide SST Door Frame)



(Rimless Door Frame)

• Installation Drawing •



Control on Door

BU-270D 595mm Width Free-standing

Capacity

Total net 270 litres
Maximum for 94 bottles (750ml Bordeaux bottle)
*suitable for 750ml Burgundy bottle (around 70 bottles)

Design

2 storage zone
Front lower design suitable for built-in installation
Smoked tempered glass door
Stainless steel handle bar
8 beech shelves (6 telescopic)
Digital display

Control

Touch-key control panel on door
Power on/off
Cool LED lighting on/off
Automatic control panel lock
Temperature set 5-12°C (41-54°F) for upper zone
Temperature set 12-22°C (54-72°F) for bottom zone
Fahrenheit & Celsius display Interchange

Feature

Circulated fan cooling for balanced storage temperature
PTC heating achieving optimum set temperature
Low vibration design for wines rest in peace
Maintaining 50-80% humidity
N, SN climate
CFC & HCFC free
Auto defrosting
Active Charcoal Filter (for option)

Packing & Container-load

Carton WxDxH: 660 x 745 x 1260mm
20/40/40HC : 36/81/108 pcs



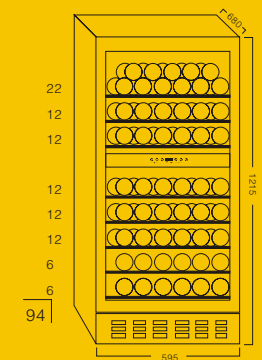
(Slim SST Door Frame)



(Wide SST Door Frame)



(Rimless Door Frame / Mirror Glass)



Control on Door

BU-270D 595mm Width Free-standing

Capacity

Total net 270 litres
Maximum for 108 bottles (750ml Bordeaux bottle)

Design

2 storage zone
Front louver design suitable for built-in installation
Smoked tempered glass door
Stainless steel handle bar
4 fixed beech shelves
Digital display

Control

Touch-key control panel
Power on/off
Cool LED lighting on/off
Automatic control panel lock
Temperature set 5-12°C (41-54°F) for upper zone
Temperature set 12-22°C (54-72°F) for bottom zone
Fahrenheit & Celsius display Interchange

Feature

Circulated fan cooling for balanced storage temperature
PTC heating achieving optimum set temperature
Low vibration design for wines rest in peace
Maintaining 50-80% humidity
N, SN climate
CFC & HCFC free
Auto defrosting
Active Charcoal Filter (for option)

Packing & Container-load

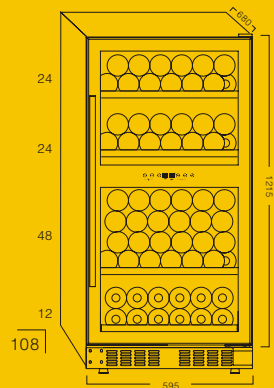
Carton WxDxH: 660 x 745 x 1260mm
20/ 40/ 40HC : 36/ 81/ 108 pcs



(Slim SST Door Frame)



(Wide SST Door Frame)



As a professional wine cooler manufacturer, we concentrate on producing high-end compressor wine coolers with circulated fan cooling system, which is the best solution to offer a perfect storage space with balanced and stable temperature and humidity for wines to mature. We, applying ISO 9001:2008 Quality Management System certified by TÜV SÜD, supply full ranges of built-in/built-under and free-standing wine coolers with stylish design and reliable quality.

Control in Cabinet

BU-428 595mm Width Free-standing

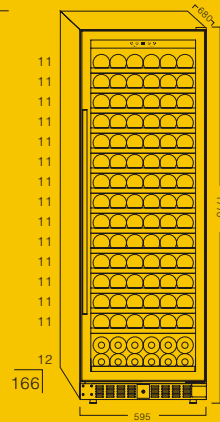
Capacity
Total net 428 litres
Maximum for 166 bottles (750ml Bordeaux bottle)

Design
1 storage zone
Front louver design suitable for built-in installation
Smoked tempered glass door
Stainless steel handle bar
15 beech shelves (14 telescopic)
Digital display
Reversible door swing

Control
Touch-key control panel in cabinet
Power on/off
Cool LED lighting on/off
Automatic control panel lock
Temperature set 5-22°C (41-72°F)
Fahrenheit & Celsius display Interchange

Feature
Circulated fan cooling for balanced storage temperature
PTC heating achieving optimum set temperature
Low vibration design for wines rest in peace
Maintaining 50-80% humidity
N, SN climate
CFC & HCFC free
Auto defrosting
Active Charcoal Filter (for option)

Packing & Container-load
Carton WxDxH: 660 x 745 x 1905mm
20/ 40/ 40HC : 24/ 54/ 72 pcs



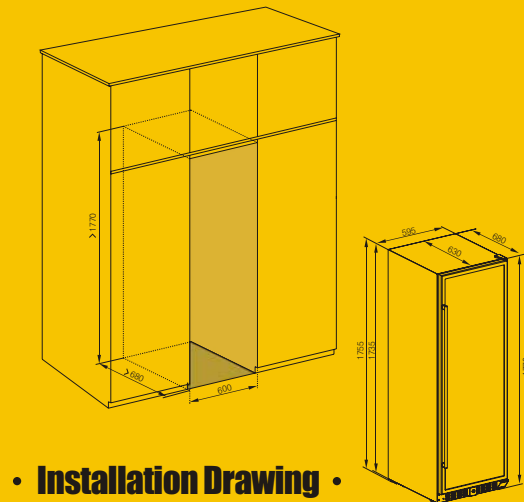
(Slim SST Door Frame)



(Wide SST Door Frame)



(Rimless Door Frame)



• Installation Drawing •

Control on Door

BU-428 595mm Width Free-standing

Capacity
Total net 428 litres
Maximum for 177 bottles (750ml Bordeaux bottle)

Design
1 storage zone
Front louver design suitable for built-in installation
Smoked tempered glass door
Stainless steel handle bar
15 beech shelves (14 telescopic)
Digital display

Control
Touch-key control panel on door
Power on/off
Cool LED lighting on/off
Automatic control panel lock
Temperature set 5-22°C (41-72°F)
Fahrenheit & Celsius display Interchange

Feature
Circulated fan cooling for balanced storage temperature
PTC heating achieving optimum set temperature
Low vibration design for wines rest in peace
Maintaining 50-80% humidity
N, SN climate
CFC & HCFC free
Auto defrosting
Active Charcoal Filter (for option)

Packing & Container-load
Carton WxDxH: 660 x 745 x 1905mm
20/ 40/ 40HC : 24/ 54/ 72 pcs



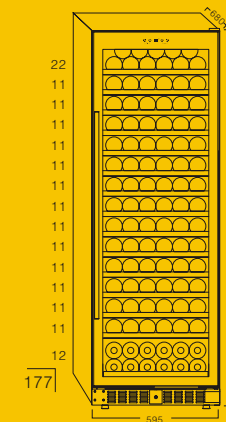
(Slim SST Door Frame)



(Wide SST Door Frame)



(Rimless Door Frame / Mirror Glass)



Control in Cabinet

BU-428D 595mm Width Free-standing

Capacity

Total net 428 litres
Maximum for 166 bottles (750ml Bordeaux bottle)

Design

2 storage zone
Front lower design suitable for built-in installation
Smoked tempered glass door
Stainless steel handle bar
14 beech shelves (13 telescopic)
Digital display
Reversible door swing

Control

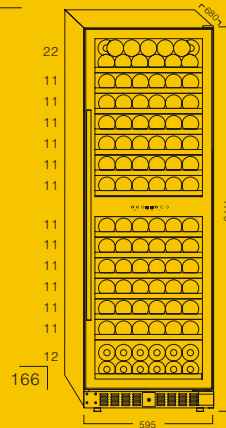
Touch-key control panel in cabinet
Power on/off
Cool LED lighting on/off
Automatic control panel lock
Temperature set 5-12°C (41-54°F) for upper zone
Temperature set 12-22°C (54-72°F) for bottom zone
Fahrenheit & Celsius display Interchange

Feature

Circulated fan cooling for balanced storage temperature
PTC heating achieving optimum set temperature
Low vibration design for wines rest in peace
Maintaining 50-80% humidity
N, SN climate
CFC & HCFC free
Auto defrosting
Active Charcoal Filter (for option)

Packing & Container-load

Carton WxDxH: 660 x 745 x 1905mm
20/ 40/ 40HC : 24/ 54/ 72 pcs



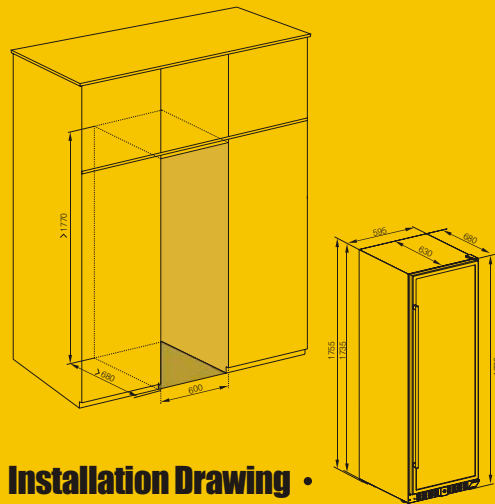
(Slim SST Door Frame)



(Wide SST Door Frame)



(Rimless Door Frame)



• Installation Drawing •

Control on Door

BU-428D 595mm Width Free-standing

Capacity

Total net 428 litres
Maximum for 166 bottles (750ml Bordeaux bottle)

Design

2 storage zone
Front lower design suitable for built-in installation
Smoked tempered glass door
Stainless steel handle bar
8 beech shelves (6 telescopic)
Digital display

Control

Touch-key control panel on door
Power on/off
Cool LED lighting on/off
Automatic control panel lock
Temperature set 5-12°C (41-54°F) for upper zone
Temperature set 12-22°C (54-72°F) for bottom zone
Fahrenheit & Celsius display Interchange

Feature

Circulated fan cooling for balanced storage temperature
PTC heating achieving optimum set temperature
Low vibration design for wines rest in peace
Maintaining 50-80% humidity
N, SN climate
CFC & HCFC free
Auto defrosting
Active Charcoal Filter (for option)

Packing & Container-load

Carton WxDxH: 660 x 745 x 1905mm
20/ 40/ 40HC : 24/ 54/ 72 pcs



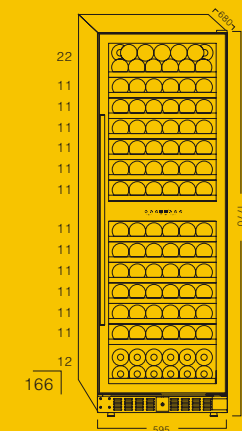
(Slim SST Door Frame)



(Wide SST Door Frame)



(Rimless Door Frame / Mirror Glass)



Control in Cabinet

BU-490D 655mm Width Free-standing

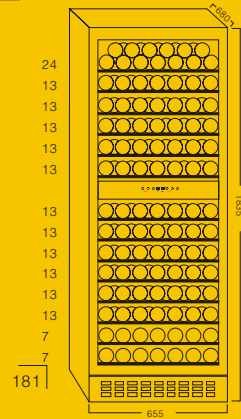
Capacity
 Total net 490 litres
 Maximum for 181 bottles (750ml Bordeaux bottle)
 *suitable for 750ml Burgundy bottle (around 156 bottles)

Design
 2 storage zone
 Front louver design suitable for built-in installation
 Smoked tempered glass door
 Stainless steel handle bar
 14 beech shelves (12 telescopic)
 Digital display
 Reversible door swing

Control
 Touch-key control panel in cabinet
 Power on/off
 Cool LED lighting on/off
 Automatic control panel lock
 Temperature set 5-12°C (41-54°F) for upper zone
 Temperature set 12-22°C (54-72°F) for bottom zone
 Fahrenheit & Celsius display Interchange

Feature
 Circulated fan cooling for balanced storage temperature
 PTC heating achieving optimum set temperature
 Low vibration design for wines rest in peace
 Maintaining 50-80% humidity
 N, SN climate
 CFC & HCFC free
 Auto defrosting
 Active Charcoal Filter (for option)

Packing & Container-load
 Carton WxDxH: 700 x 745 x 1970mm
 20/40/40HC : 24/51/69 pcs



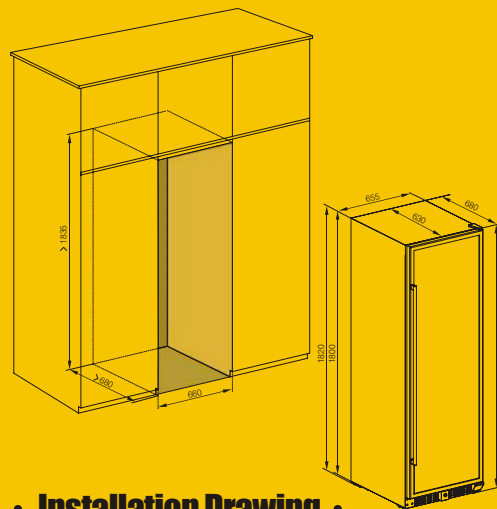
(Slim SST Door Frame)



(Wide SST Door Frame)



(Rimless Door Frame)



• Installation Drawing •

Control on Door

BU-490D 655mm Width Free-standing

Capacity
 Total net 490 litres
 Maximum for 181 bottles (750ml Bordeaux bottle)
 *suitable for 750ml Burgundy bottle (around 156 bottles)

Design
 2 storage zone
 Front louver design suitable for built-in installation
 Smoked tempered glass door
 Stainless steel handle bar
 14 beech shelves (12 telescopic)
 Digital display

Control
 Touch-key control panel on door
 Power on/off
 Cool LED lighting on/off
 Automatic control panel lock
 Temperature set 5-12°C (41-54°F) for upper zone
 Temperature set 12-22°C (54-72°F) for bottom zone
 Fahrenheit & Celsius display Interchange

Feature
 Circulated fan cooling for balanced storage temperature
 PTC heating achieving optimum set temperature
 Low vibration design for wines rest in peace
 Maintaining 50-80% humidity
 N, SN climate
 CFC & HCFC free
 Auto defrosting
 Active Charcoal Filter (for option)

Packing & Container-load
 Carton WxDxH: 700 x 745 x 1970mm
 20/40/40HC : 24/51/69 pcs



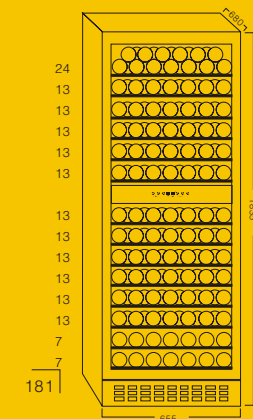
(Slim SST Door Frame)



(Wide SST Door Frame)



(Rimless Door Frame / Mirror Glass)



Control on Door

BU-490D 655mm Width Free-standing

Capacity

Total net 490 litres
Maximum for 222 bottles (750ml Bordeaux bottle)

Design

2 storage zone
Front louver design suitable for built-in installation
Smoked tempered glass door
Stainless steel handle bar
6 fixed beech shelves
Digital display

Control

Touch-key control panel
Power on/off
Cool LED lighting on/off
Automatic control panel lock
Temperature set 5-12°C (41-54°F) for upper zone
Temperature set 12-22°C (54-72°F) for bottom zone
Fahrenheit & Celsius display Interchange

Feature

Circulated fan cooling for balanced storage temperature
PTC heating achieving optimum set temperature
Low vibration design for wines rest in peace
Maintaining 50-80% humidity
N, SN climate
CFC & HCFC free
Auto defrosting
Active Charcoal Filter (for option)

Packing & Container-load

Carton WxDxH: 700 x 745 x 1970mm
20/ 40/ 40HC : 24/ 51/ 69 pcs



(Slim SST Door Frame)



(Wide SST Door Frame)

